

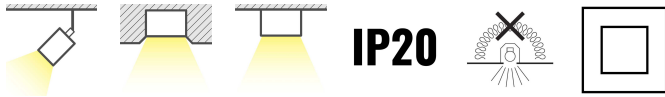
# PONTIAC 9W

## Retractable Downlight

**Classic Series**

Proven. Quality. Customisable

PONTIAC 9W Retractable Downlight offers great flexibility. Its medium size makes this a solid all-round general light source, while being functional and versatile. Flexible for lighting schemes in residential or retail spaces. Direct illumination with a 36° optic reflector.



### SPECIFICATIONS

#### Material Specifications

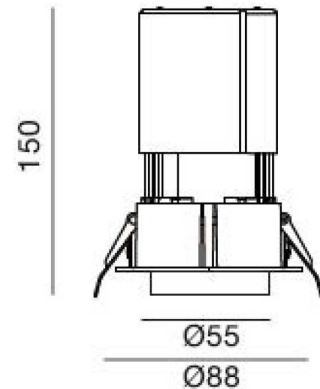
<b>Housing</b>	Aluminium
<b>Finish</b>	Powder Coat
<b>Cutout</b>	80mm (Dia)
<b>Adjustment</b>	350° Rotatable, 90° Tilttable
<b>Ingress Protection</b>	IP20
<b>Warranty</b>	5 Year Replacement

#### Electrical Specifications

<b>Power Supply</b>	12W AcTec Dimtronic Constant Current Driver, 260mA, Phase Dim
<b>Input Voltage</b>	240V
<b>Connection Method</b>	Australian Approved 2-Pin Plug & 1.0m Lead

#### Optic Specifications

<b>Light Source</b>	9W SMD LED
<b>Beam Angle</b>	36°
<b>CRI</b>	90Ra
<b>Colour Deviation</b>	SDCM ≤ 3
<b>Reported L70 (Hours)</b>	> 54,000 Hrs



### VARIATIONS

<b>MBL4685</b>	PONTIAC 9W Retractable Downlight, White, Phase Dim, 3000K, 782lm
<b>MBL4686</b>	PONTIAC 9W Retractable Downlight, White, Phase Dim, 4000K, 860lm
<b>MBL4687</b>	PONTIAC 9W Retractable Downlight, Black, Phase Dim, 3000K, 782lm
<b>MBL4688</b>	PONTIAC 9W Retractable Downlight, Black, Phase Dim, 4000K, 860lm